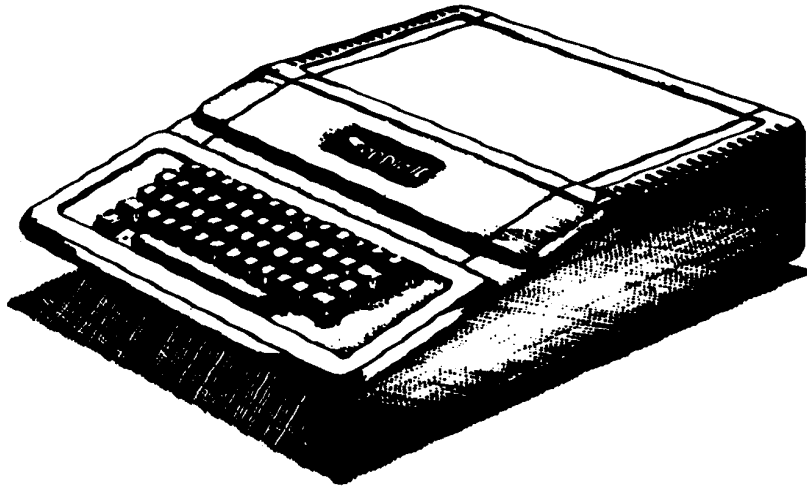




## Apple 2 Computer Technical Information



# Apple II Computer Family Information

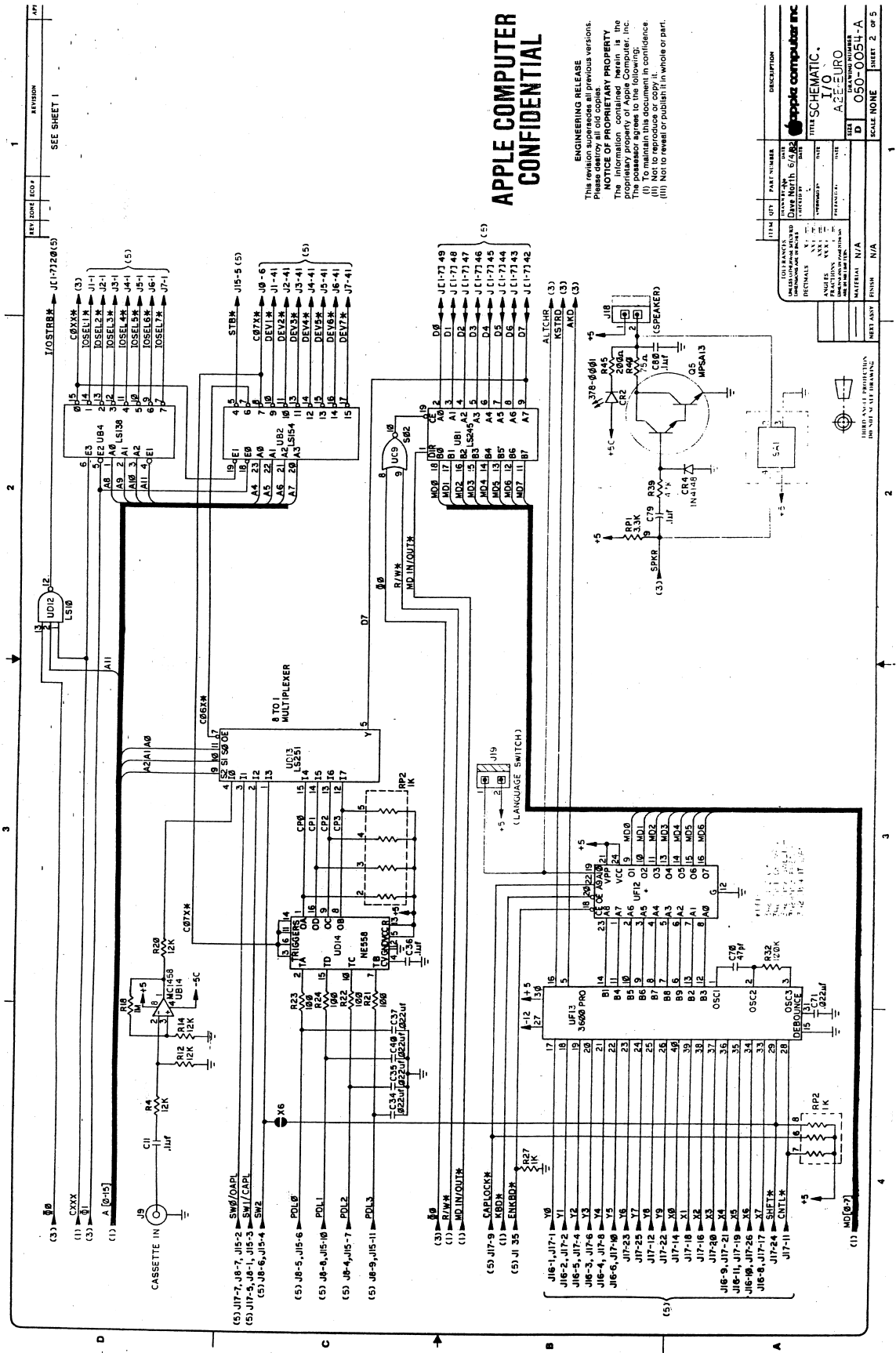
Schematic: Apple 2e Computer (Euro)  
050-0054-A 6/82

*Apple Service Level 2 Technical Reference #204-1011 vol. 2*

Document # **533**

Ex Libris David T. Craig



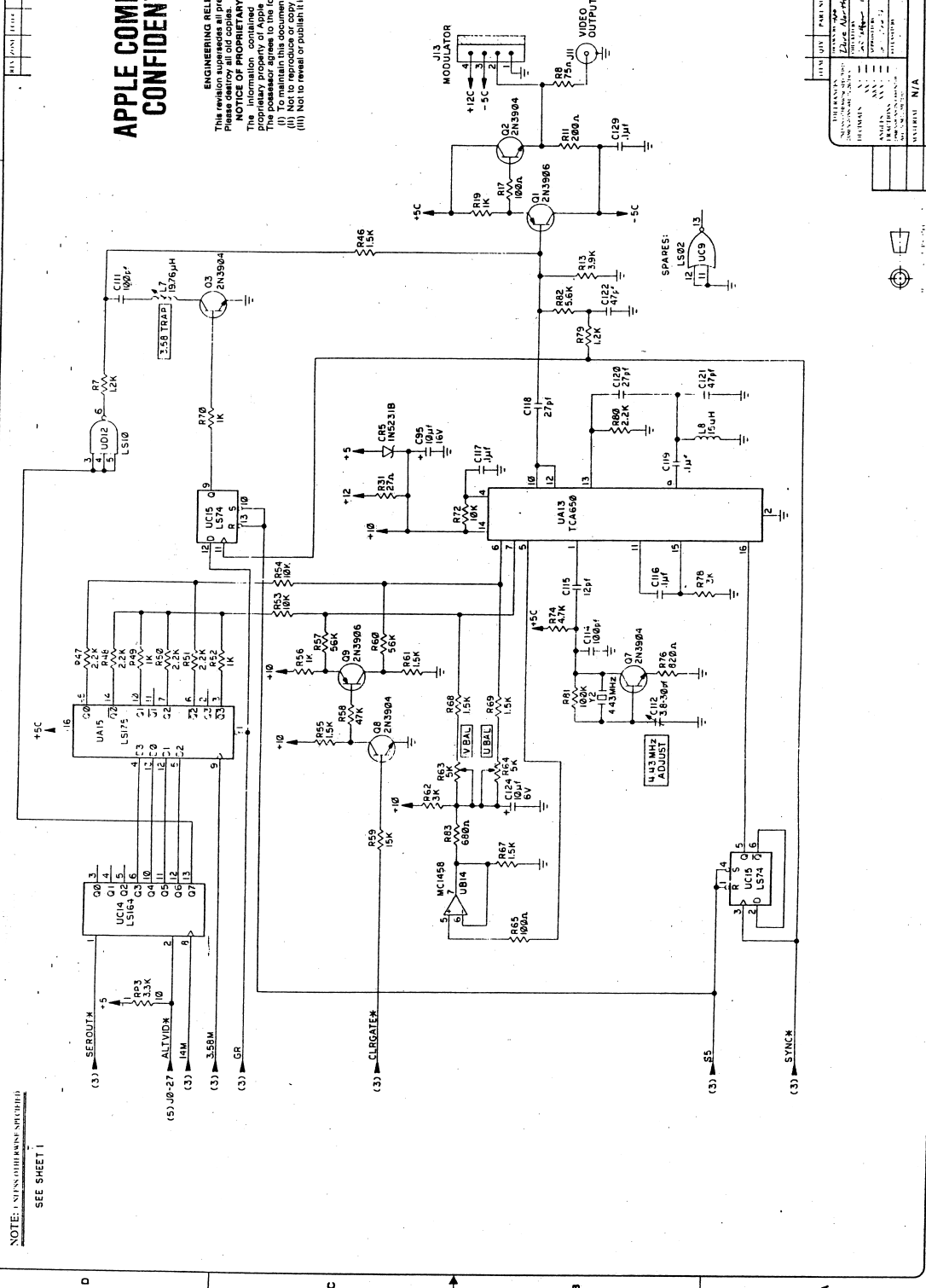




REV. PART NO. QUANTITY  
 1 SEE SHEET 1

**APPLE COMPUTER  
 CONFIDENTIAL**

**ENGINEERING RELEASE**  
 This revision supersedes all previous versions.  
 Please destroy all old copies.  
**NOTICE OF PROPRIETARY PROPERTY**  
 This document contains proprietary information of Apple Computer, Inc. The possessor agrees to the following:  
 (I) To maintain this document in confidence.  
 (II) To use this document only for the purposes intended.  
 (III) Not to reveal or publish it in whole or part.



NOTE: 1. SEE SHEET 1 FOR PARTS LIST  
 2. SEE SHEET 1  
 3. SEE SHEET 1  
 4. SEE SHEET 1

REV.	DATE	DESCRIPTION
1	050-0054-A	SCHEMATIC, VIDEO AZE EURO

REV.	DATE	DESCRIPTION
1	050-0054-A	SCHEMATIC, VIDEO AZE EURO

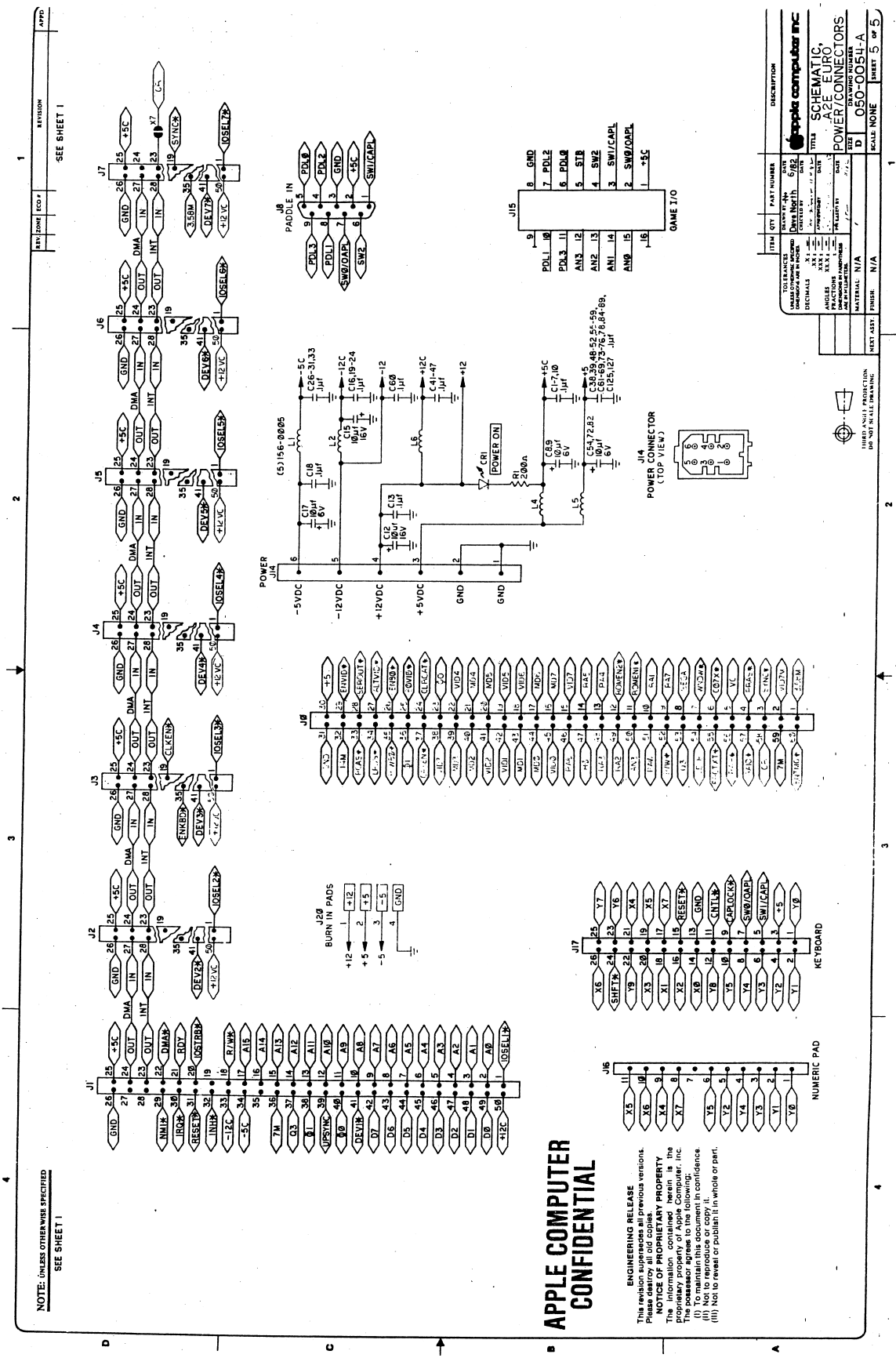
REV.	DATE	DESCRIPTION
1	050-0054-A	SCHEMATIC, VIDEO AZE EURO

REV.	DATE	DESCRIPTION
1	050-0054-A	SCHEMATIC, VIDEO AZE EURO

REV.	DATE	DESCRIPTION
1	050-0054-A	SCHEMATIC, VIDEO AZE EURO

REV.	DATE	DESCRIPTION
1	050-0054-A	SCHEMATIC, VIDEO AZE EURO

REV.	DATE	DESCRIPTION
1	050-0054-A	SCHEMATIC, VIDEO AZE EURO

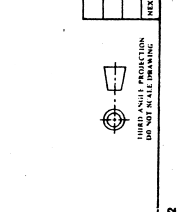


NOTE: UNLESS OTHERWISE SPECIFIED  
SEE SHEET 1

APPLE COMPUTER  
CONFIDENTIAL

ENGINEERING RELEASE  
This revision supersedes all previous versions.  
NOTICE OF PROPRIETARY PROPERTY  
The information contained herein is the  
proprietary property of Apple Computer, Inc.  
and is to be used only for internal purposes.  
(i) Not to be reproduced or copied in any form.  
(ii) Not to be disseminated in whole or in part.

ITEM	QTY	PART NUMBER	DESCRIPTION
7805	1	7805	REGULATOR
7812	1	7812	REGULATOR
7815	1	7815	REGULATOR
1N4001	1	1N4001	DIODE
RESISTORS			
CAPACITORS			
TRANSFORMER			



TOLERANCES	UNLESS OTHERWISE SPECIFIED
DIMENSIONS	FRACTIONS
DECIMALS	FRACTIONS
ANGLES	DECIMALS
RADIUSES	FRACTIONS
HOLE LOCATIONS	FRACTIONS

SCALE	FINISH	MATERIAL	NEXT ASSY
1/8" = 1"	N/A	N/A	N/A

ITEM	QTY	PART NUMBER	DESCRIPTION
1	1	1	1
2	1	2	2
3	1	3	3
4	1	4	4
5	1	5	5
6	1	6	6
7	1	7	7
8	1	8	8
9	1	9	9
10	1	10	10
11	1	11	11
12	1	12	12
13	1	13	13
14	1	14	14
15	1	15	15
16	1	16	16
17	1	17	17
18	1	18	18
19	1	19	19
20	1	20	20
21	1	21	21
22	1	22	22
23	1	23	23
24	1	24	24
25	1	25	25
26	1	26	26
27	1	27	27
28	1	28	28
29	1	29	29
30	1	30	30
31	1	31	31
32	1	32	32